

Pirce Suspension LED 3000K White



IP20

Dimmerable: + -

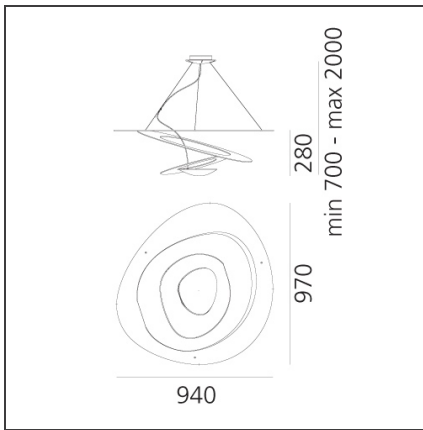
DESIGN BY

Giuseppe Maurizio Scutellà

DESCRIPTION

Suspension lamp in painted aluminium. Opening out of a slim disk are fluttering spirals, which fall gently downwards, creating magical effects of form and light.

TECHNICAL DRAWINGS



FEATURES

Article Code:	1254110A	Material:	Aluminum
Colour:	White	Series:	Design
Installation:	Suspension	Area contract:	Residential
Environment:	Indoor	Emission:	Indirect

DIMENSIONS

Length:	cm 94	Glow Wire Test:	650
Width:	cm 97		
Height:	cm 28		
Max Height from ceiling:	cm 200		

INCLUDED SOURCES

Category:	LED	Color temperature (K):	3000K
Number:	1	Color Tolerance:	MacAdam 2SDCM
Watt:	44W	CRI:	90
Delivered lumens output (lm):	4230lm		
Type:	0		
Class:	A		

LUMINAIRE

Watt:	44W	Delivered lumens output (lm):	3313lm
Voltage:	220V-240V	CCT:	3000K
		Efficiency:	82%
		Efficacy:	75.30lm/W
		CRI:	90
		Dimmable Typology:	Push

Notes

Lamp included.