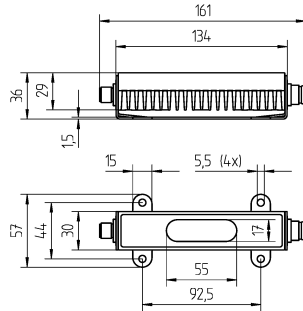


Surface-mounted luminaire ONE LED MVAL 1 SD

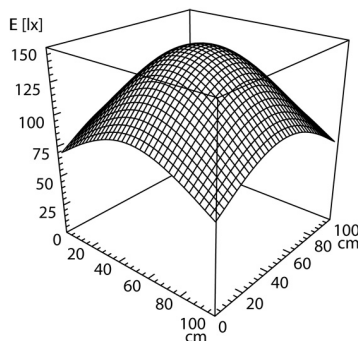
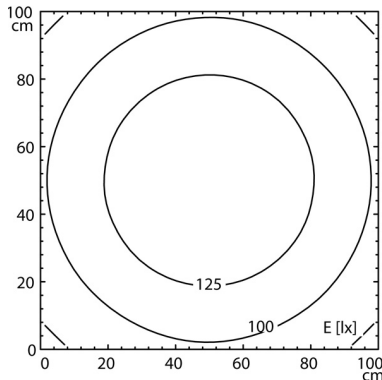
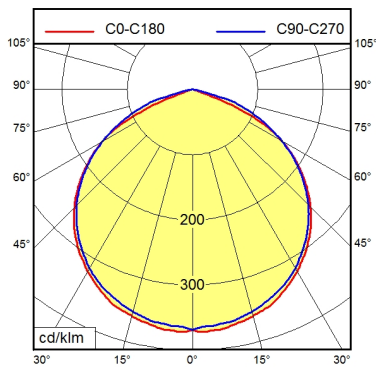
112887000-00684959

Waldmann **W**

ENGINEERS OF LIGHT



RSFM 4/0.5M



Light source	LED
Work equipment	Without
Connected load	20 - 28 V; DC
Power consumption	ca. 6 W
Luminous flux	approx. 400 lm
Luminous efficiency	approx. 66 lm/W
Light type/color	Cold white
Colour temperatur	approx. 5.000 K
Color rendering index	CRI ≥ 80
Light distribution	Direct; Symmetric
Glare control	See luminaire type
System of protection	IP 54
Class of protection	III
Technology	-
Operation	External
Housing	Aluminium; Untreated; Aluminium coloured anodised
Light source cover	Acrylic (PMMA); Clear
Weight (net)	ca. 0,2 kg
Mains lead	Built-in plug; RSFM 4/0.5M
Design	mounted version
Fastening	Screws
Maximum ambient temperature	50 °C
Special features	Through-wired; Luminaire body rotatable ±90°