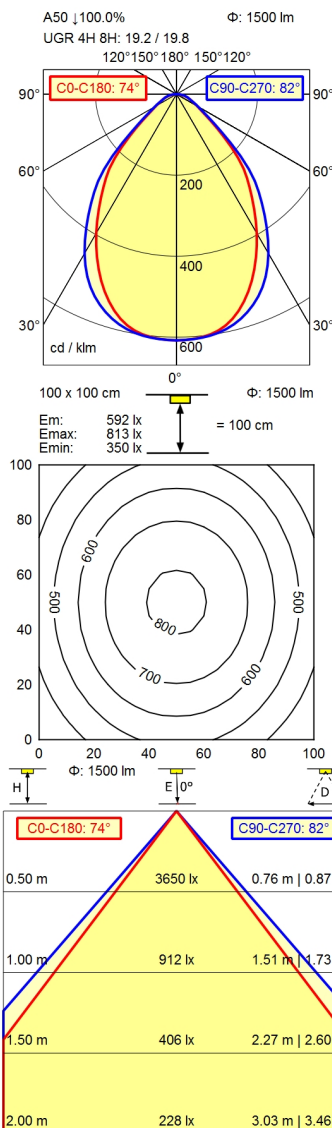


CEE 7/VII



Light source
Work equipment
Connected load
Power consumption
Luminous flux
Luminous efficiency
Light type/-color
Colour temperatur
Color rendering index
Light distribution
Direct ratio
Beam angle
Chromaticity tolerance LED
Glare control
Luminance (L65)
Unified glare rating (4H 8H)
System of protection
Class of protection
Technology
Operation
Housing
Light source cover
Weight (net)
Mains lead
Design
Fastening
Decorative contrast side parts

LED
Electronic ballast
220 - 240 V; AC; 50 Hz; 60 Hz
ca. 18 W
approx. 1.500 lm
approx. 83 lm/W
Cold white
approx. 4.000 K
CRI \geq 90; R9 \geq 50
Direct; Symmetric
approx. 100 %
75°
< 3 SDCM
Conical prismatic screen
 \leq 3.800 cd/m²
 \leq 22
IP 20
I
Switchable; -
Rocker switch
Aluminium/plastic; Anodised; Aluminium coloured
anodised
Structured; Plastic
ca. 3,2 kg
ca. 3 m; Mains plug; CEE 7/VII
mounted version
Screw down lash
Black

