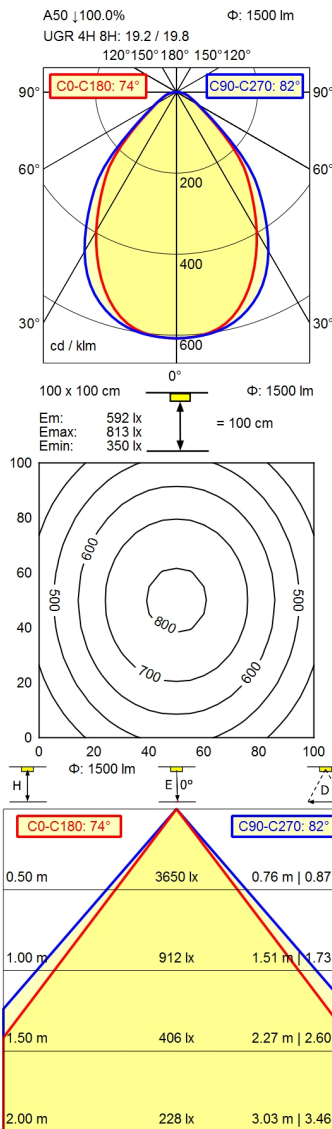


CEE 7/VII



**Light source**  
**Work equipment**  
**Connected load**  
**Power consumption**  
**Luminous flux**  
**Luminous efficiency**  
**Light type/-color**  
**Colour temperatur**  
**Color rendering index**  
**Light distribution**  
**Direct ratio**  
**Beam angle**  
**Chromaticity tolerance LED**  
**Glare control**  
**Luminance (L65)**  
**Unified glare rating (4H 8H)**  
**System of protection**  
**Class of protection**  
**Technology**  
**Operation**  
**Housing**  
**Light source cover**  
**Weight (net)**  
**Mains lead**  
**Design**  
**Fastening**  
**Dimension**  
**Decorative contrast side parts**

LED  
Electronic ballast  
220 - 240 V; AC; 50 Hz; 60 Hz  
ca. 18 W  
approx. 1.500 lm  
approx. 83 lm/W  
Cold white  
approx. 5.000 K  
CRI  $\geq$  90; R9  $\geq$  50  
Direct; Symmetric  
approx. 100 %  
75°  
< 3 SDCM  
Conical prismatic screen  
 $\leq$  3.800 cd/m<sup>2</sup>  
 $\leq$  22  
IP 20  
I  
Continuously dimmable; DALI; Touch DIM  
Rocker switch  
Aluminium/plastic; Anodised; Aluminium coloured  
anodised  
Structured; Plastic  
ca. 3,7 kg  
ca. 3 m; Mains plug; CEE 7/VII  
mounted version  
Screw down lash  
656 mm  
Black

# Workplace-system luminaire Tameto SAHQ 44 R

112972000-00688252

