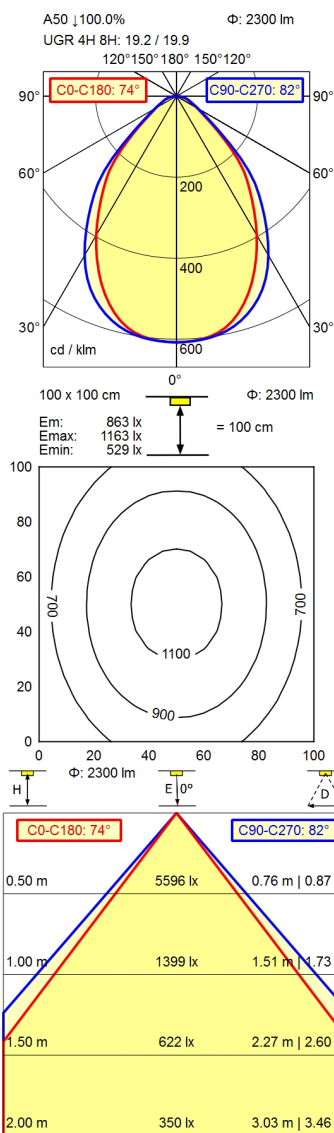


CEE 7/VII



<b>Light source</b>	LED
<b>Work equipment</b>	Electronic ballast
<b>Connected load</b>	220 - 240 V; AC; 50 Hz; 60 Hz
<b>Power consumption</b>	ca. 26 W
<b>Luminous flux</b>	approx. 2.300 lm
<b>Luminous efficiency</b>	approx. 88 lm/W
<b>Light type/-color</b>	Cold white
<b>Colour temperatur</b>	approx. 4.000 K
<b>Color rendering index</b>	CRI $\geq$ 90; R9 $\geq$ 50
<b>Light distribution</b>	Direct; Symmetric
<b>Direct ratio</b>	approx. 100 %
<b>Beam angle</b>	75%
<b>Chromaticity tolerance LED</b>	< 3 SDCM
<b>Glare control</b>	Conical prismatic screen
<b>Luminance (L65)</b>	$\leq$ 3.800 cd/m <sup>2</sup>
<b>Unified glare rating (4H 8H)</b>	$\leq$ 22
<b>System of protection</b>	IP 20
<b>Class of protection</b>	I
<b>Technology</b>	Switchable; -
<b>Operation</b>	Rocker switch
<b>Housing</b>	Aluminium/plastic; Anodised; Aluminium coloured anodised
<b>Light source cover</b>	Structured; Plastic
<b>Weight (net)</b>	ca. 4,3 kg
<b>Mains lead</b>	ca. 3 m; Mains plug; CEE 7/VII
<b>Design</b>	mounted version
<b>Fastening</b>	Screw down lash
<b>Decorative contrast side parts</b>	Black

# Workplace-system luminaire Tameto SAHQ 66

112975000-00551349

