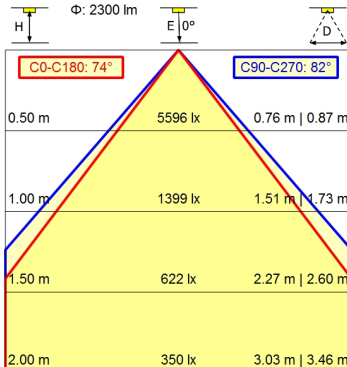
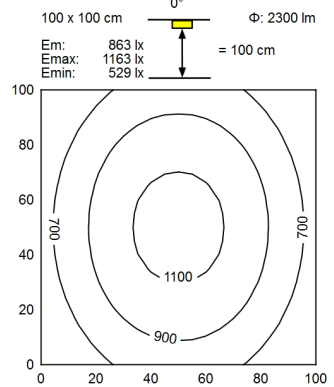
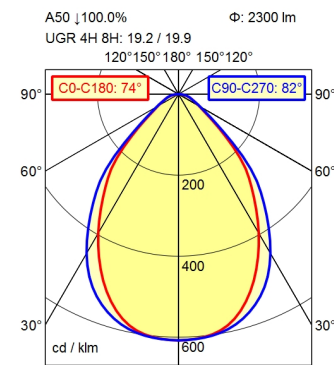


GST 18i3S



Light source

Work equipment

Connected load

Power consumption

Luminous flux

Luminous efficiency

Light type/-color

Colour temperatur

Color rendering index

Light distribution

Direct ratio

Beam angle

Chromaticity tolerance LED

Glare control

Luminance (L65)

System of protection

Class of protection

Technology

Operation

Housing

Light source cover

Weight (net)

Mains lead

Design

Fastening

Decorative contrast side parts

Special features

LED

Electronic ballast

220 - 240 V; AC; 50 Hz; 60 Hz

ca. 26 W

approx. 2.300 lm

approx. 88 lm/W

Cold white

approx. 4.000 K

CRI \geq 90; R9 \geq 50

Direct; Symmetric

approx. 100 %

75%

< 3 SDCM

Conical prismatic screen

\leq 3.800 cd/m²

IP 20

I

Switchable; -

Rocker switch

Aluminium/plastic; Anodised; Aluminium coloured anodised

Structured; Plastic

ca. 4,3 kg

ca. 0,3 m; Built-in plug; Connection box; GST 18i3S

mounted version

Screw down lash

Black

Through-wired

Workplace-system luminaire Tameto SAHQ 66 D

112975000-00555628

