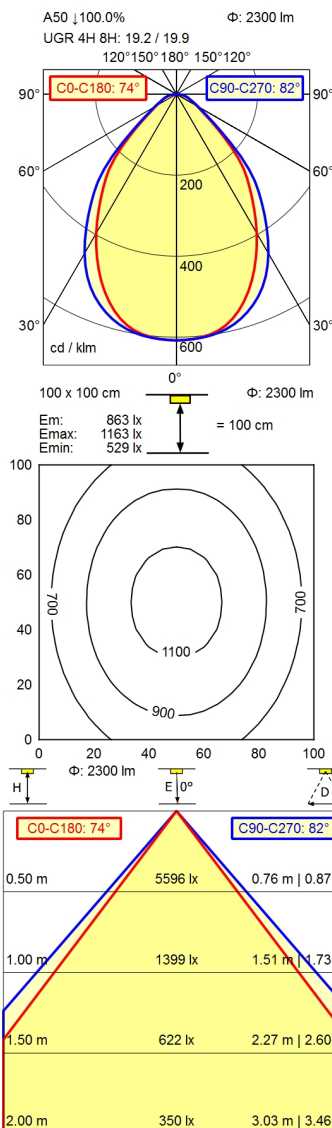


CEE 7/VII



| | |
|---------------------------------------|--|
| Light source | LED |
| Work equipment | Electronic ballast |
| Connected load | 220 - 240 V; AC; 50 Hz; 60 Hz |
| Power consumption | ca. 26 W |
| Luminous flux | approx. 2.300 lm |
| Luminous efficiency | approx. 88 lm/W |
| Light type/-color | Cold white |
| Colour temperatur | approx. 5.000 K |
| Color rendering index | CRI \geq 90; R9 \geq 50 |
| Light distribution | Direct; Symmetric |
| Direct ratio | approx. 100 % |
| Beam angle | 75% |
| Chromaticity tolerance LED | < 3 SDCM |
| Glare control | Conical prismatic screen |
| Luminance (L65) | \leq 3.800 cd/m ² |
| Unified glare rating (4H 8H) | \leq 22 |
| System of protection | IP 20 |
| Class of protection | I |
| Technology | Continuously dimmable; Touch DIM |
| Operation | Rocker switch |
| Housing | Aluminium/plastic; Anodised; Aluminium coloured anodised |
| Light source cover | Structured; Plastic |
| Weight (net) | ca. 5,1 kg |
| Mains lead | ca. 3 m; Mains plug; CEE 7/VII |
| Design | mounted version |
| Fastening | Screw down lash |
| Decorative contrast side parts | Black |

Workplace-system luminaire Tameto SAHQ 66 R

112976000-00687081

