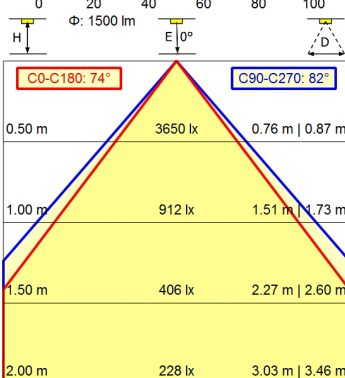
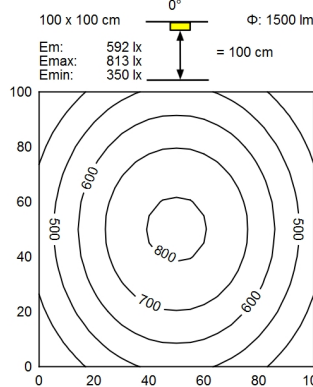
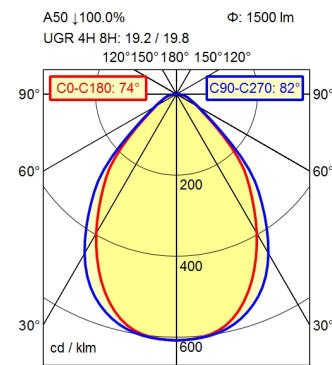


GST 18i3F REV



- Light source**
- Work equipment**
- Connected load**
- Power consumption**
- Luminous flux**
- Luminous efficiency**
- Light type/-color**
- Colour temperatur**
- Color rendering index**
- Light distribution**
- Direct ratio**
- Beam angle**
- Chromaticity tolerance LED**
- Glare control**
- Luminance (L65)**
- Unified glare rating (4H 8H)**
- System of protection**
- Class of protection**
- Technology**
- Operation**
- Housing**
- Light source cover**
- Weight (net)**
- Mains lead**
- Design**
- Fastening**
- Decorative contrast side parts**
- Special features**

- LED
- Electronic ballast
- 220 - 240 V; AC; 50 Hz; 60 Hz
- ca. 18 W
- approx. 1.500 lm
- approx. 83 lm/W
- Cold white
- approx. 4.000 K
- CRI  $\geq$  90; R9  $\geq$  50
- Direct; Symmetric
- approx. 100 %
- 75°
- < 3 SDCM
- Conical prismatic screen
- $\leq$  3.800 cd/m<sup>2</sup>
- $\leq$  22
- IP 20
- I
- Continuously dimmable; Touch DIM
- Rocker switch
- Aluminium/plastic; Anodised; Aluminium coloured anodised
- Structured; Plastic
- ca. 3,4 kg
- Built-in plug; Connection box; GST 18i3F REV
- mounted version
- Screw down lash
- Black
- Through-wired

# Workplace-system luminaire Tameto SAHQ 44 RD

113035000-00577614

