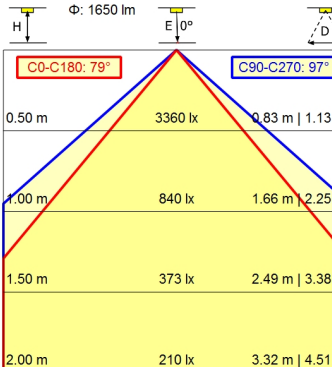
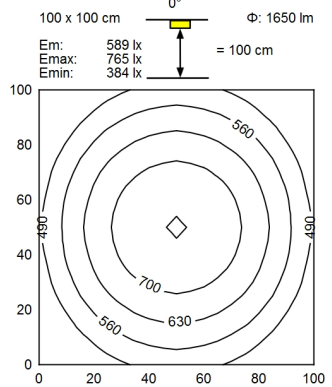
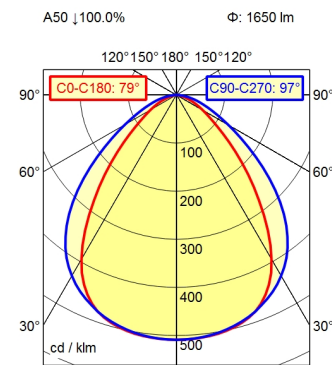


Serie\_763



light source  
work equipment  
connected load  
power consumption  
luminous flux  
luminous efficiency  
light type/-color  
colour temperatur  
color rendering index  
light distribution  
beam angle  
chromaticity tolerance LED  
luminance (L65)  
unified glare rating (4H 8H)  
class of protection  
technology  
operation  
housing  
cover  
weight (net)  
mains lead  
design  
fastening  
dimension  
minimum ambient temperature  
maximum ambient temperature  
special features

LED  
without  
18 - 30 V; direct current (DC)  
ca. 18 W  
approx. 1.650 lm  
approx. 91 lm/W  
cold white  
approx. 5.000 K  
CRI  $\geq$  80  
direct; symmetric  
80°/100°  
< 4 SDCM  
 $\leq$  27000 cd/m<sup>2</sup>  
004  
III  
switchable; no notice  
external  
aluminium; anodised; aluminium coloured  
anodised  
borosilicate; clear  
ca. 2,4 kg  
built-in plug; connection box; Serie\_763  
mounted version  
L-angle; clamp  
A=565 mm  
-10 °C  
45 °C  
Power equipment; through-wired