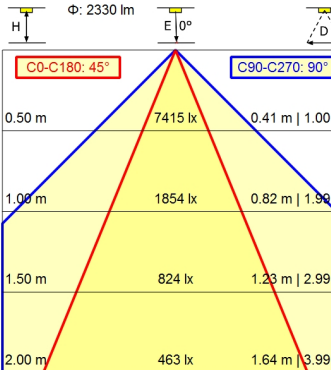
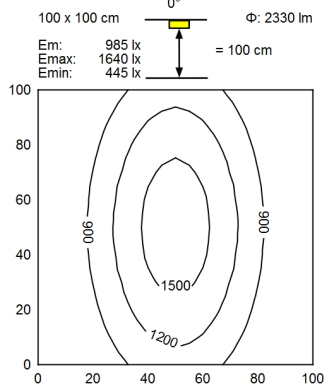
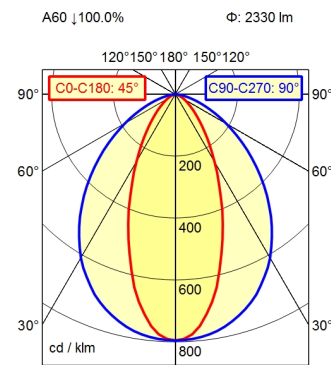




RSFM 4/0,05 P25-1



Light source	LED
Work equipment	Without
Connected load	20 - 28 V; DC
Power consumption	ca. 21,5 W
Luminous flux	approx. 2.330 lm
Luminous efficiency	approx. 105 lm/W
Light type/color	Cold white
Colour temperatur	approx. 5.000 K
Color rendering index	CRI ≥ 80
Light distribution	Narrow-beam; Direct; Symmetric
Beam angle	40°/90°
Chromaticity tolerance LED	< 4 SDCM
Glare control	Without
Luminance (L65)	≤ 56.000 cd/m ²
Unified glare rating (4H 8H)	≤ 22
System of protection	IP 67
Class of protection	III
Technology	Switchable; -
Operation	External
Housing	Aluminium; Anodised; Aluminium coloured anodised Borosilicate; Clear
Light source cover	
Weight (net)	ca. 1,1 kg
Mains lead	Built-in plug; RSFM 4/0,05 P25-1
Design	mounted version
Fastening	L-angle; Clamp
Dimension	A=715 mm
Minimum ambient temperature	0 °C
Maximum ambient temperature	50 °C

Surface-mounted luminaire MACH LED PLUS.forty MLAL 57 S

113164000-00660687

