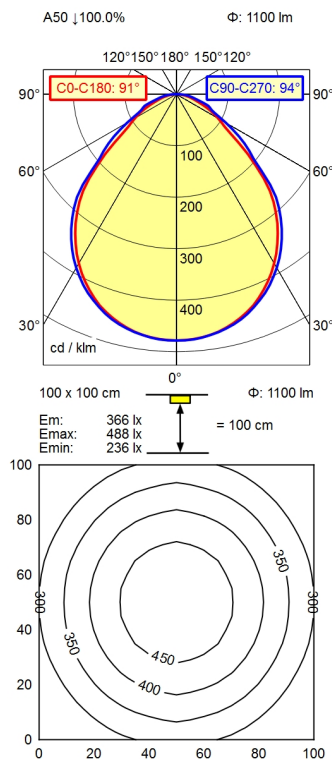


CE



GST 18i3F REV



Light source

Work equipment

Connected load

Power consumption

Luminous flux

Luminous efficiency

Light type/-color

Colour temperatur

Color rendering index

Light distribution

Direct ratio

Beam angle

Glare control

Luminance (L65)

Unified glare rating (4H 8H)

System of protection

Class of protection

Technology

Operation

Housing

Light source cover

Weight (net)

Mains lead

Design

Fastening

Decorative contrast side parts

Special features

LED

Power supply unit

220 - 240 V; AC; 50 Hz; 60 Hz

ca. 15 W

approx. 1.100 lm

approx. 73 lm/W

Cold white

approx. 5.000 K

CRI ≥ 80

Direct

approx. 100 %

92°

Structured screen

≤ 13.000 cd/m²

≤ 25

IP 20

I

Switchable; -

Rocker switch

Aluminium/plastic; Anodised; Aluminium coloured
anodised

Structured

ca. 1,6 kg

Built-in plug; GST 18i3F REV

mounted version

Lamp bracket (accessory)

Dusty grey

Mounting left