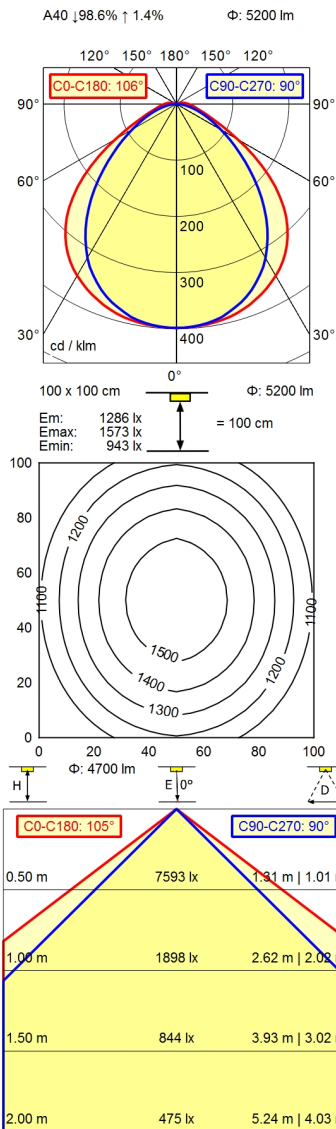


series 272



Light source	LED
Work equipment	Without
Connected load	230 V; AC; 50 Hz; 60 Hz
Power consumption	ca. 64 W
Luminous flux	approx. 5.200 lm
Luminous efficiency	approx. 81 lm/W
Light type/-color	Cold white
Colour temperatur	approx. 5.000 K
Color rendering index	CRI ≥ 80
Light distribution	Direct
Direct ratio	approx. 99 %
Beam angle	100°
Chromaticity tolerance LED	< 4 SDCM
Glare control	Diffuser foil
Luminance (L65)	≤ 18.000 cd/m ²
Unified glare rating (4H 8H)	≤ 25
System of protection	IP 67
Class of protection	I
Technology	Switchable; -
Operation	External
Housing	Polycarbonate (PC), clear
Light source cover	Polycarbonate (PC)
Weight (net)	ca. 3,3 kg
Mains lead	Connector; series 272
Fastening	Pipe clamp (accessory)
Dimension	A=1210 mm
Light output	D=1156 mm
Side part	A with screwed cable gland
Maximum ambient temperature	40 °C
Special features	Light forming