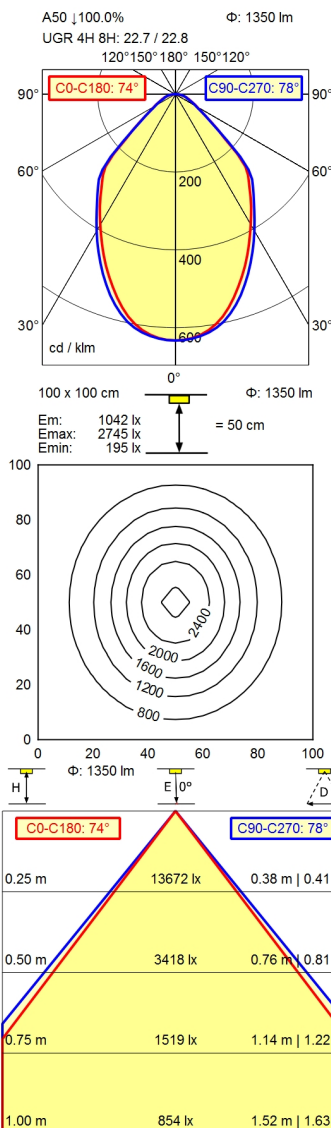


CEE 7/VII



- Light source**
- Work equipment**
- Connected load**
- Secondary tension**
- Power consumption**
- Sec. power consumption**
- Luminous flux**
- Luminous efficiency**
- Light type/-color**
- Colour temperatur**
- Color rendering index**
- Light distribution**
- Direct ratio**
- Beam angle**
- Chromaticity tolerance LED**
- Luminance (L65)**
- Unified glare rating (4H 8H)**
- System of protection**
- Class of protection**
- Technology**
- Operation**
- Housing**
- Light source cover**
- Arm**
- Balance of articulation joints**
- Weight (net)**
- Mains lead**
- Fastening**
- Special features**

- LED
- Electronic transformer
- 100 - 240 V; AC; 50 Hz; 60 Hz
- 24 V
- ca. 23 W
- ca. 19 W
- approx. 1.350 lm
- approx. 71 lm/W
- Cold white
- approx. 3.900 K
- CRI \geq 90; R9 \geq 50
- Direct
- approx. 100 %
- 75°
- < 4 SDCM
- \leq 12.000 cd/m²
- \leq 25
- IP 20
- I with plug-in power supply; III without plug-in power supply
- Touch DIM
- Multi-function switch
- Black
- Structured; Plastic
- Black
- Spring
- ca. 1,9 kg
- ca. 3,4 m; Mains plug; CEE 7/VII
- Tap16; Table clamp (accessory); Screw-down flange
- ESD version

