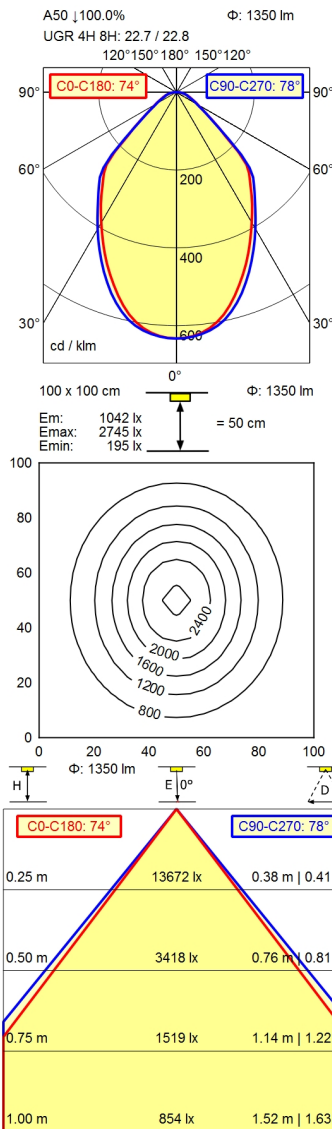


CEE 7/VII



Light source
LED

Work equipment
Electronic transformer

Connected load
100 - 240 V; AC; 50 Hz; 60 Hz

Secondary tension
24 V

Power consumption
ca. 23 W

Sec. power consumption
ca. 19 W

Luminous flux
approx. 1.350 lm

Luminous efficiency
approx. 71 lm/W

Light type/-color
Cold white

Colour temperatur
approx. 4.900 K

Color rendering index
CRI \geq 90; R9 \geq 50

Light distribution
Direct

Direct ratio
approx. 100 %

Beam angle
75°

Chromaticity tolerance LED
< 4 SDCM

Luminance (L65)
 \leq 12.000 cd/m²

Unified glare rating (4H 8H)
 \leq 25

System of protection
IP 20

Class of protection
I with plug-in power supply; III without plug-in power supply

Technology
Touch DIM

Operation
Multi-function switch

Housing
Black

Light source cover
Structured; Plastic

Arm
Black

Balance of articulation joints
Spring

Weight (net)
ca. 1,9 kg

Mains lead
ca. 3,4 m; Mains plug: CEE 7/VII

Fastening
Tap16; Table clamp (accessory); Screw-down flange

Add-on lens
Not available

Special features
ESD version

LED

Electronic transformer

100 - 240 V; AC; 50 Hz; 60 Hz

24 V

ca. 23 W

ca. 19 W

approx. 1.350 lm

approx. 71 lm/W

Cold white

approx. 4.900 K

CRI \geq 90; R9 \geq 50

Direct

approx. 100 %

75°

< 4 SDCM

\leq 12.000 cd/m²

\leq 25

IP 20

I with plug-in power supply; III without plug-in power supply

Touch DIM

Multi-function switch

Black

Structured; Plastic

Black

Spring

ca. 1,9 kg

ca. 3,4 m; Mains plug: CEE 7/VII

Tap16; Table clamp (accessory); Screw-down flange

Not available

ESD version

