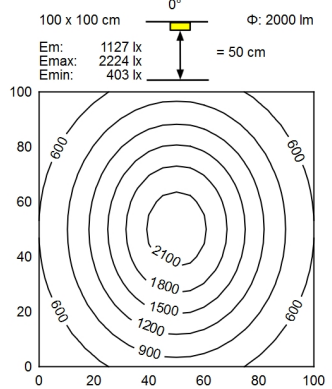
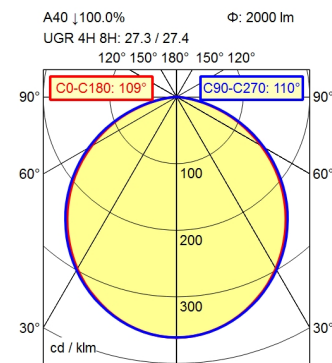


CEE 7/VII



| Height (m) | Illuminance (lx) | Width (m)       |
|------------|------------------|-----------------|
| 0.25       | 11561 lx         | 0.70 m   0.72 m |
| 0.50       | 2890 lx          | 1.39 m   1.43 m |
| 0.75       | 1285 lx          | 2.09 m   2.15 m |
| 1.00       | 723 lx           | 2.78 m   2.87 m |

**Light source**

**Work equipment**

**Connected load**

**Secondary tension**

**Power consumption**

**Sec. power consumption**

**Luminous flux**

**Luminous efficiency**

**Light type/-color**

**Colour temperatur**

**Color rendering index**

**Light distribution**

**Direct ratio**

**Beam angle**

**Chromaticity tolerance LED**

**Luminance (L65)**

**Unified glare rating (4H 8H)**

**System of protection**

**Class of protection**

**Technology**

**Operation**

**Housing**

**Light source cover**

**Arm**

**Balance of articulation joints**

**Weight (net)**

**Mains lead**

**Fastening**

**Add-on lens**

**Decorative contrast side parts**

LED

Electronic transformer

100 - 240 V; AC; 50 Hz; 60 Hz

24 V

ca. 30 W

ca. 26 W

approx. 2.000 lm

approx. 76 lm/W

Cold white

approx. 4.000 K

CRI ≥ 90; R9 ≥ 50

Direct

approx. 100 %

110°

< 3 SDCM

≤ 23.000 cd/m<sup>2</sup>

≤ 28

IP 20

I with plug-in power supply; III without plug-in

power supply

Touch DIM

Multi-function switch

Aluminium coloured anodised

Milky; Plastic

Silver metallic

Spring

ca. 2,3 kg

ca. 3,4 m; Mains plug; CEE 7/VII

Tap16; Table clamp (accessory); Screw-down flange

Not available

Black

