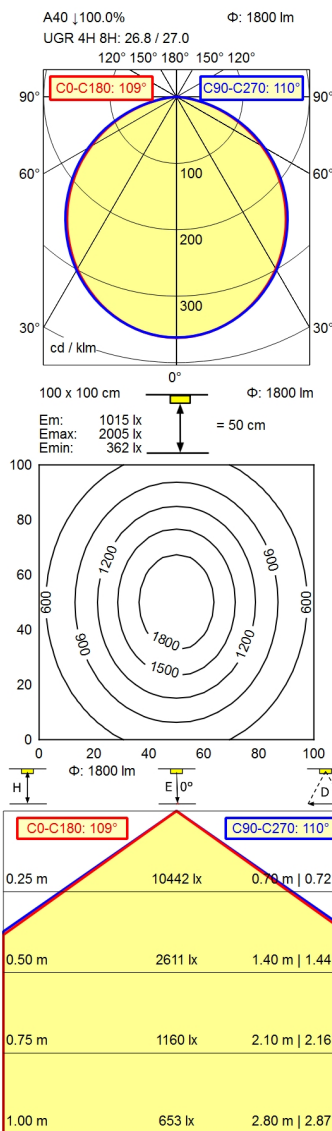


CEE 7/VII



- Light source**
- Work equipment**
- Connected load**
- Secondary tension**
- Power consumption**
- Sec. power consumption**
- Luminous flux**
- Luminous efficiency**
- Light type/-color**
- Colour temperatur**
- Color rendering index**
- Light distribution**
- Direct ratio**
- Beam angle**
- Chromaticity tolerance LED**
- Luminance (L65)**
- Unified glare rating (4H 8H)**
- System of protection**
- Class of protection**
- Technology**
- Operation**
- Housing**
- Light source cover**
- Arm**
- Balance of articulation joints**
- Weight (net)**
- Mains lead**
- Fastening**
- Add-on lens**
- Decorative contrast side parts**

- LED
- Electronic transformer
- 100 - 240 V; AC; 50 Hz; 60 Hz
- 24 V
- ca. 38 W
- ca. 33 W
- approx. 1.800 lm
- approx. 54 lm/W
- D50 standard light; Cold white
- approx. 5.000 K
- CRI \geq 95; R9 \geq 85
- Direct
- approx. 100 %
- 110°
- < 3 SDCM
- \leq 23.000 cd/m²
- \leq 28
- IP 20
- I with plug-in power supply; III without plug-in power supply
- Touch DIM
- Multi-function switch
- Aluminium coloured anodised
- Milky; Plastic
- Silver metallic
- Spring
- ca. 2,3 kg
- ca. 3,4 m; Mains plug: CEE 7/VII
- Table base
- Not available
- Black

