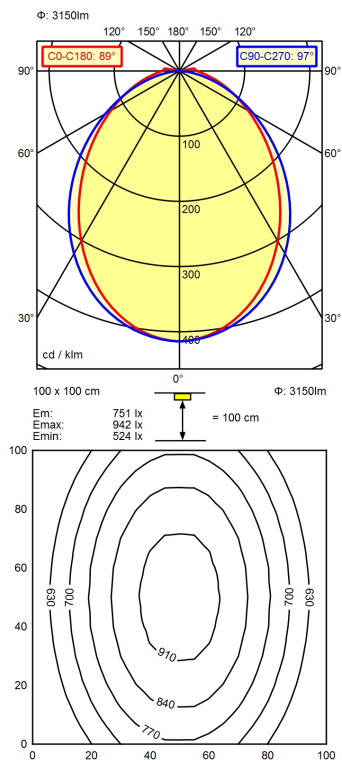


M12-A-5



light source  
work equipment  
connected load  
power consumption  
luminous flux  
luminous efficiency  
light type/-color  
colour temperatur  
color rendering index  
light distribution  
beam angle  
chromaticity tolerance LED  
glare control  
system of protection  
class of protection  
technology  
operation  
housing  
cover  
weight (net)  
mains lead  
design  
fastening  
dimension  
decorative contrast side parts  
special features

LED  
without  
22-26 V, DC  
env. 25 W  
approx. 3.150 lm  
approx. 126 lm/W  
cold white  
approx. 5.000 K  
CRI > 80  
direct  
89° / 97°  
< 4 SDCM  
screen  
IP 54  
III  
multi-stage switchable; no notice  
external  
aluminium/plastic; anodised, painted; aluminium  
coloured anodised  
Acrylic (PMMA); satine  
ca. 0,625; KG  
built-in plug; M12-A-5  
mounted version  
bracket  
A=1455mm, C=1410mm, C1=1440mm  
natural silver anodised  
ADVANCED package