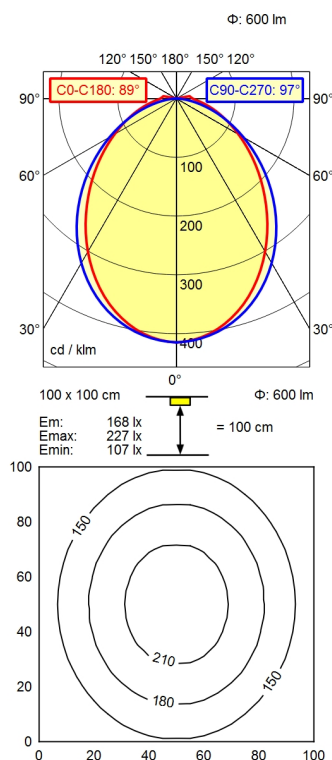


M12-A-5



Light source
Work equipment
Connected load
Power consumption
Luminous flux
Luminous efficiency
Light type/color
Light distribution
Beam angle
Glare control
System of protection
Class of protection
Technology
Operation
Housing
Light source cover
Weight (net)
Mains lead
Design
Fastening
Dimension
Minimum ambient temperature
Maximum ambient temperature
Decorative contrast side parts

LED
Without
22 - 26 V; DC
ca. 12 W
approx. 600 lm
approx. 50 lm/W
yellow; Yellow
Direct
89° / 97°
Screen
IP 54
III
Switchable; -
External
Aluminium/plastic; Anodised, painted; Aluminium coloured anodised
Acrylic (PMMA); Satine
ca. 0,3 kg
Built-in plug; M12-A-5
mounted version
Bracket
A=615mm,Cmin=570mm,Cmax=600mm
5 °C
40 °C
Natural silver anodised

