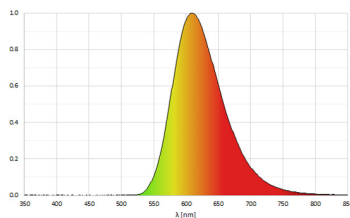
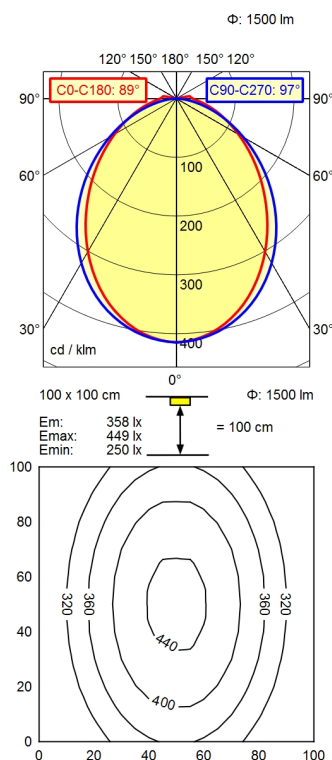


M12-A-5



| | |
|---------------------------------------|---|
| Light source | LED |
| Work equipment | Without |
| Connected load | 22 - 26 V; DC |
| Power consumption | ca. 30 W |
| Luminous flux | approx. 1.500 lm |
| Luminous efficiency | approx. 50 lm/W |
| Light type/-color | yellow; Yellow |
| Light distribution | Direct |
| Beam angle | 89° / 97° |
| Glare control | Screen |
| System of protection | IP 54 |
| Class of protection | III |
| Technology | Switchable; - |
| Operation | External |
| Housing | Aluminium/plastic; Anodised, painted; Aluminium coloured anodised Acrylic (PMMA); Satine |
| Light source cover | |
| Weight (net) | ca. 0,6 kg |
| Mains lead | Built-in plug; M12-A-5 |
| Design | mounted version |
| Fastening | Bracket |
| Dimension | A=1455mm Cmin=1410mm Cmax=1440mm |
| Minimum ambient temperature | 5 °C |
| Maximum ambient temperature | 40 °C |
| Decorative contrast side parts | Natural silver anodised |