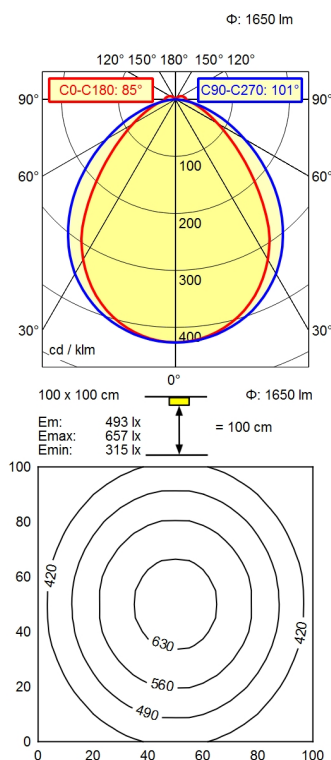


M12-A-5



|                                       |   |
|---------------------------------------|---|
| <b>Light source</b>                   | LED   |
| <b>Work equipment</b>                 | Without   |
| <b>Connected load</b>                 | 22 - 26 V; DC   |
| <b>Power consumption</b>              | ca. 13 W  |
| <b>Luminous flux</b>                  | approx. 1.650 lm  |
| <b>Luminous efficiency</b>            | approx. 126 lm/W  |
| <b>Light type/-color</b>              | Cold white  |
| <b>Colour temperatur</b>              | approx. 5.000 K   |
| <b>Color rendering index</b>          | CRI ≥ 80  |
| <b>Light distribution</b>             | Direct  |
| <b>Beam angle</b>                     | 85° / 101°  |
| <b>Chromaticity tolerance LED</b>     | < 4 SDCM  |
| <b>Glare control</b>                  | Screen  |
| <b>System of protection</b>           | IP 54   |
| <b>Class of protection</b>            | III   |
| <b>Technology</b>                     | Multi-stage switchable; -   |
| <b>Operation</b>                      | External  |
| <b>Housing</b>                        | Aluminium/plastic; Anodised, painted; Aluminium coloured anodised<br>Acrylic (PMMA); Satine |
| <b>Light source cover</b>             |   |
| <b>Weight (net)</b>                   | ca. 0,2 kg  |
| <b>Mains lead</b>                     | Built-in plug; M12-A-5  |
| <b>Design</b>                         | mounted version   |
| <b>Fastening</b>                      | Bracket   |
| <b>Dimension</b>                      | A=475mm,Cmin=415mm,Cmax=460mm   |
| <b>Minimum ambient temperature</b>    | 5 °C  |
| <b>Maximum ambient temperature</b>    | 50 °C   |
| <b>Decorative contrast side parts</b> | Natural silver anodised   |
| <b>Special features</b>               | Through-wired; ADVANCED package   |