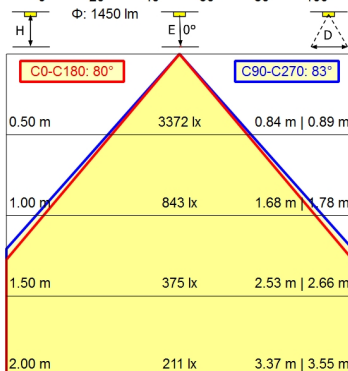
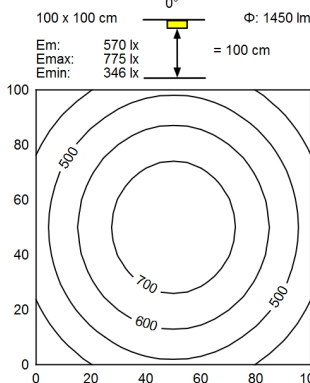
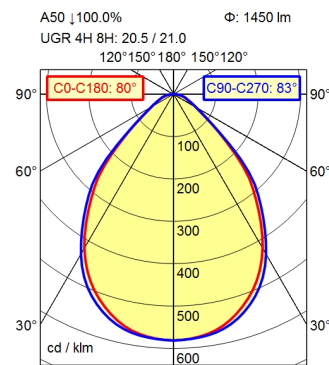


CEE 7/VII



**Light source**

**Work equipment**

**Connected load**

**Power consumption**

**Luminous flux**

**Luminous efficiency**

**Light type/-color**

**Colour temperatur**

**Color rendering index**

**Light distribution**

**Direct ratio**

**Beam angle**

**Chromaticity tolerance LED**

**Glare control**

**Luminance (L65)**

**Unified glare rating (4H 8H)**

**System of protection**

**Class of protection**

**Technology**

**Operation**

**Housing**

**Light source cover**

**Weight (net)**

**Mains lead**

**Design**

**Fastening**

**Decorative contrast side parts**

LED

Electronic ballast dimmable digital

220 - 240 V; AC; 50 Hz; 60 Hz

ca. 23 W

approx. 1.450 lm

approx. 63 lm/W

adjustable white

approx. 3.000 - 6.500 K

CRI  $\geq$  90; R9  $\geq$  50

Direct; Symmetric

approx. 100 %

80°

< 3 SDCM

Conical prismatic screen

$\leq$  5.200 cd/m<sup>2</sup>

$\leq$  22

IP 20

I

Continuously dimmable; Radio-controlled; -

External

Aluminium/plastic; Anodised; Aluminium coloured

anodised

Structured

ca. 2,4 kg

ca. 3 m; Mains plug; CEE 7/VII

mounted version

Screw down lash

Black

# Workplace-system luminaire Tameto SAHKQ 60 RC

114259000-00805715

