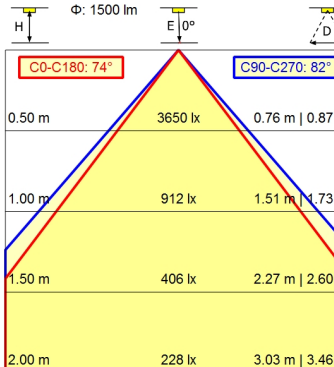
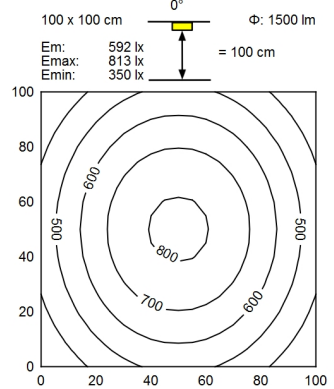
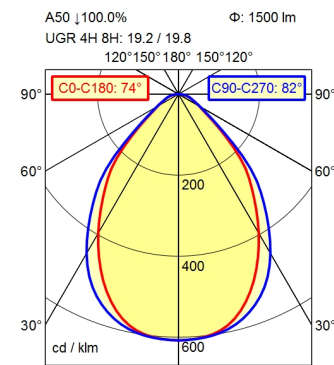


GST 1813S



**Light source**

**Work equipment**

**Connected load**

**Power consumption**

**Luminous flux**

**Luminous efficiency**

**Light type/color**

**Colour temperatur**

**Color rendering index**

**Light distribution**

**Direct ratio**

**Beam angle**

**Chromaticity tolerance LED**

**Glare control**

**Luminance (L65)**

**Unified glare rating (4H 8H)**

**System of protection**

**Class of protection**

**Technology**

**Operation**

**Housing**

**Light source cover**

**Weight (net)**

**Mains lead**

**Design**

**Fastening**

**Decorative contrast side parts**

**Special features**

LED

Electronic ballast dimable digital

220 - 240 V; AC; 50 Hz; 60 Hz

ca. 23 W

approx. 1.500 lm

approx. 65 lm/W

adjustable white

approx. 3.000 - 6.500 K

CRI  $\geq$  90; R9  $\geq$  50

Direct; Symmetric

approx. 100 %

75°

< 3 SDCM

Conical prismatic screen

$\leq$  3.800 cd/m<sup>2</sup>

$\leq$  22

IP 20

I

Continuously dimmable; Radio-controlled; -

External

Aluminium/plastic; Anodised; Aluminium coloured

anodised

Structured; Plastic

ca. 3,7 kg

ca. 0,3 m; Mains plug: GST 1813S

mounted version

Screw down lash

Black

Through-wired

# Workplace-system luminaire Tameto SAHQ 44 RDC

114260000-00805755

