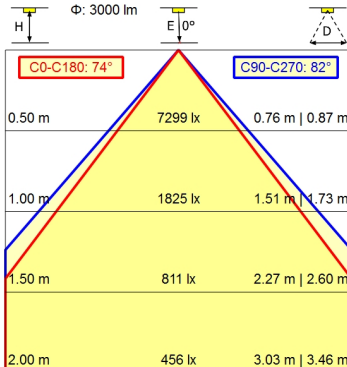
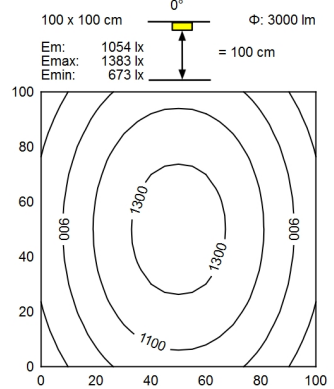
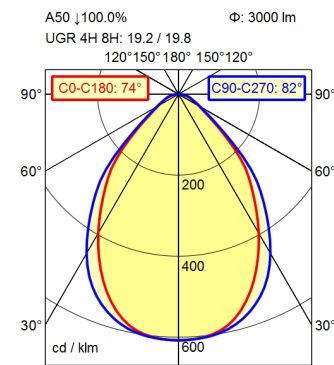


GST 18i3S



Light source

Work equipment

Connected load

Power consumption

Luminous flux

Luminous efficiency

Light type/color

Colour temperatur

Color rendering index

Light distribution

Direct ratio

Beam angle

Chromaticity tolerance LED

Glare control

Luminance (L65)

Unified glare rating (4H 8H)

System of protection

Class of protection

Technology

Operation

Housing

Light source cover

Weight (net)

Mains lead

Design

Fastening

Decorative contrast side parts

Special features

LED

Electronic ballast dimable digital

220 - 240 V; AC; 50 Hz; 60 Hz

ca. 39 W

approx. 3.000 lm

approx. 76 lm/W

adjustable white

approx. 3.000 - 6.500 K

CRI \geq 90; R9 \geq 50

Direct; Symmetric

approx. 100 %

75°

< 3 SDCM

Conical prismatic screen

\leq 3.800 cd/m²

\leq 22

IP 20

I

Continuously dimmable; Radio-controlled; -

External

Aluminium/plastic; Anodised; Aluminium coloured

anodised

Structured; Plastic

ca. 5,8 kg

ca. 0,3 m; Mains plug: GST 18i3S

mounted version

Screw down lash

Black

Through-wired

Workplace-system luminaire Tameto SAHQ 88 RDC

114262000-00805763

