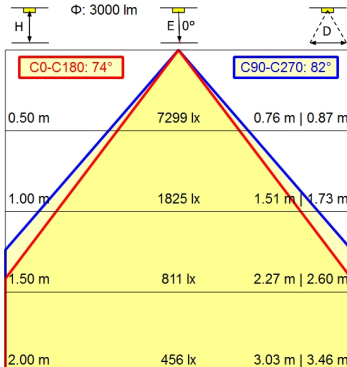
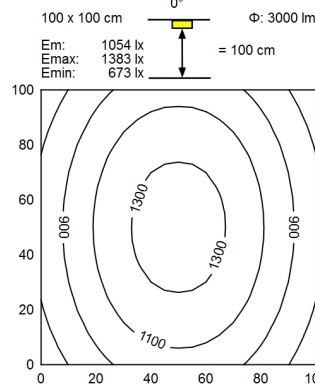
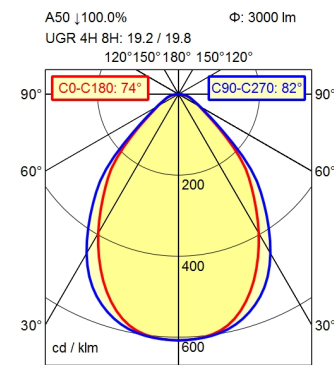


GST 18i3F REV



Light source
Work equipment
Connected load
Power consumption
Luminous flux
Luminous efficiency
Light type/-color
Colour temperatur
Color rendering index
Light distribution
Direct ratio
Beam angle
Chromaticity tolerance LED
Glare control
Luminance (L65)
System of protection
Class of protection
Technology
Operation
Housing
Light source cover
Weight (net)
Mains lead
Design
Fastening
Decorative contrast side parts
Special features

LED
Electronic ballast dimmable digital
220 - 240 V; AC; 50 Hz; 60 Hz
ca. 39 W
approx. 3.000 lm
approx. 76 lm/W
adjustable white
approx. 3.000 - 6.500 K
CRI \geq 90; R9 \geq 50
Direct; Symmetric
approx. 100 %
75°
< 3 SDCM
Conical prismatic screen
 \leq 3.800 cd/m²
IP 20
I
Continuously dimmable; Radio-controlled; -
External
Aluminium/plastic; Anodised; Aluminium coloured
anodised
Structured; Plastic
ca. 5,6 kg
Built-in plug; Connection box; GST 18i3F REV
mounted version
Screw down lash
Black
Through-wired

Workplace-system luminaire Tameto SAHQ 88 RDC

114265000-00805791

