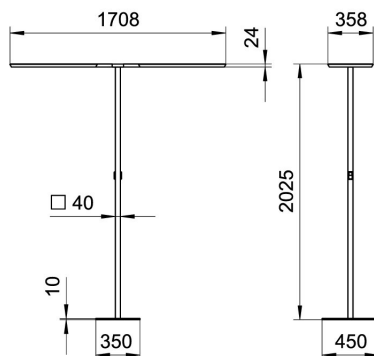


Free-standing luminaire YARA.doubleT YTS 2/15000/840/R/SR/CEE/S0/R

114268000-00808488

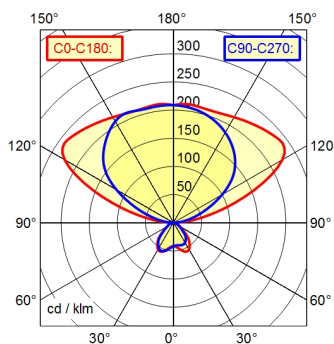
Waldmann W

ENGINEERS OF LIGHT



CEE 7/VII

D43 ↓ 13.0% ↑ 87.0%



Light source	LED
Work equipment	Electronic ballast DALI
Connected load	220 - 240 V; AC; 50 Hz; 60 Hz
Power consumption	ca. 210 W; 214 W
Power factor	env. 0,966
Luminous flux	approx. 30.000 lm
Luminous efficiency	approx. 142 lm/W
Light type/-color	Cold white
Colour temperatur	approx. 4.000 K
Color rendering index	CRI ≥ 80
Light distribution	Direct/indirect
Direct ratio	approx. 13 %
Chromaticity tolerance LED	< 3 SDCM
Glare control	Conical prismatic screen
Luminance (L65)	≤ 2.700 cd/m ²
Unified glare rating (4H 8H)	≤ 16
System of protection	IP 20
Class of protection	I
Technology	Presence and daylight sensor control (PIR); DALI; Touch DIM Wireless switch
Operation	
Housing	Aluminium/plastic; Powder coatet; Silver metallic
Light source cover	Acrylic (PMMA); Structured; Satine
Arm	Steel tube; Powder-coated; Tubular section upright; Silver metallic Rectangular flat
Luminaire base	
Weight (net)	ca. 24 kg
Mains lead	ca. 3 m; Mains plug; CEE 7/VII
Fastening	Floor standing base
Life expectancy LED	L80B50 60.000h
Special features	Asymmetric radiation; Flicker-free; App control; Direct and indirect lighting component with edge light and light guide technology for a homogeneous light exit; PIR movement and daylight sensor; TALK Bluetooth; Magnetic control panel, freely positionable