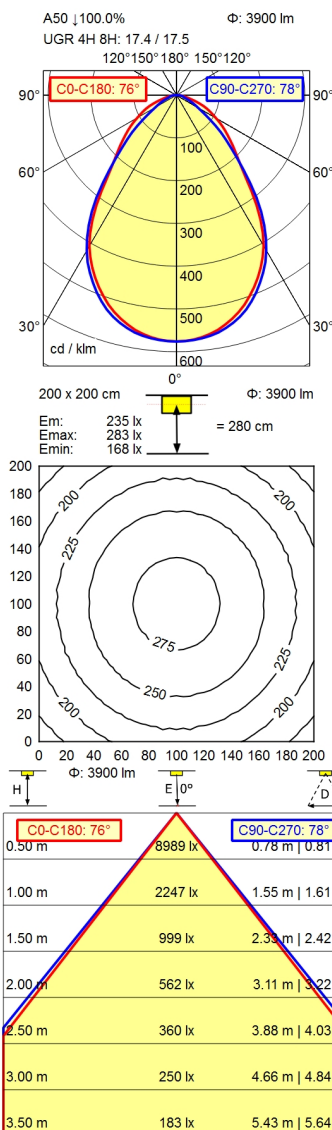


CE



- Work equipment**
- Connected load**
- Power consumption**
- Standby**
- Power factor**
- Luminous flux**
- Luminous efficiency**
- Light type/-color**
- Colour temperatur**
- Color rendering index**
- Light distribution**
- Direct ratio**
- Beam angle**
- Chromaticity tolerance LED**
- Glare control**
- Luminance (L65)**
- Unified glare rating (4H 8H)**
- System of protection**
- Class of protection**
- Technology**
- Operation**
- Housing**
- Weight (net)**
- Mains lead**
- Design**
- Installation dimensions**
- Life expectancy LED**
- Special features**

- Electronic ballast
- 220 - 240 V; 50 Hz; 60 Hz
- ca. 30 W
- ca. 0,5 W
- env. 0,900
- approx. 3.900 lm
- approx. 130 lm/W
- Warm white
- approx. 3.000 K
- CRI \geq 80
- Direct
- approx. 100 %
- 76° / 78°
- < 3 SDCM
- Conical prismatic screen
- \leq 2.600 cd/m²
- \leq 19
- IP 20
- II
- Switchable
- External
- Sectional aluminium; White
- ca. 3 kg
- ca. 0,5 m; Connector
- Integrated version
- ca. 625 mm; 625 mm
- L80B50 75.000h
- Flicker-free; Direct light component with edge light and light-guide technology for homogenous light exit; System dimension 625 x 625 mm; Strain relief with the possibility of through-wiring