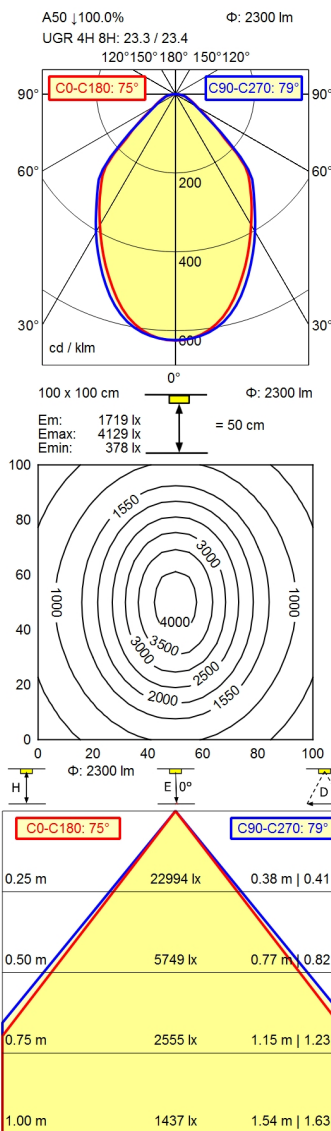


CEE 7/VII



Light source	LED
Work equipment	Electronic transformer
Connected load	100 - 240 V; AC; 50 Hz; 60 Hz
Secondary tension	24 V
Power consumption	ca. 30 W
Sec. power consumption	ca. 26 W
Luminous flux	approx. 2.300 lm
Luminous efficiency	approx. 88 lm/W
Light type/-color	Cold white
Colour temperatur	approx. 4.000 K
Color rendering index	CRI \geq 90; R9 \geq 50
Light distribution	Direct
Direct ratio	approx. 100 %
Beam angle	75°
Chromaticity tolerance LED	< 3 SDCM
Glare control	Conical prismatic screen
Luminance (L65)	\leq 12.000 cd/m ²
Unified glare rating (4H 8H)	\leq 25
System of protection	IP 20
Class of protection	I with plug-in power supply; III without plug-in power supply
Technology	Continuously dimmable; Touch DIM
Operation	Multi-function switch
Housing	Sectional aluminium; Anodised; Aluminium coloured anodised
Light source cover	Structured; Plastic
Weight (net)	ca. 1,8 kg
Mains lead	ca. 4,5 m; Mains plug; CEE 7/VII
Design	Mounted version
Fastening	Screw-down bracket, horizontal
Special features	Fixed connection

