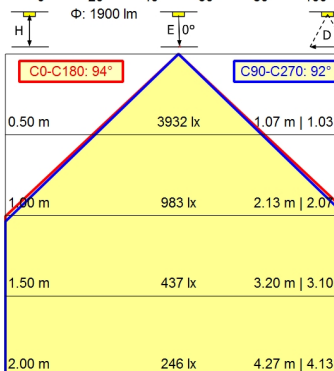
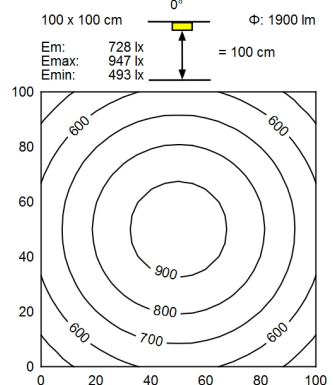
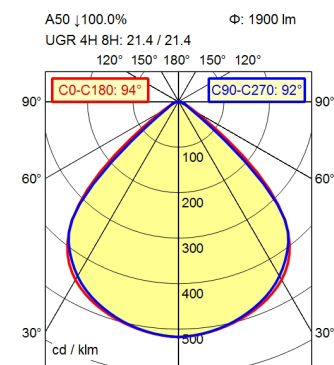


M12-A-5



Light source
Work equipment
Connected load
Power consumption
Luminous flux
Luminous efficiency
Light type/color
Colour temperatur
Color rendering index
Light distribution
Beam angle
Chromaticity tolerance LED
Glare control
Luminance (L65)
System of protection
Class of protection
Technology
Operation
Housing
Light source cover
Weight (net)
Mains lead
Design
Fastening
Dimension
Minimum ambient temperature
Maximum ambient temperature
Special features

LED
 Without
 24 V; DC
 ca. 14 W
 approx. 1.900 lm
 approx. 135 lm/W
 Cold white
 approx. 5.000 K
 CRI ≥ 80; R9 ≥ 10
 Direct; Symmetric
 92°
 < 3 SDCM
 Screen
 ≤ 4.200 cd/m²
 IP 67
 III
 Multi-stage switchable
 External
 Aluminium; Anodised; Aluminium coloured
 anodised
 Borosilicate
 ca. 1,5 kg
 Built-in plug; M12-A-5
 mounted version
 Screws
 A = 227,5 mm, C = 207,5mm
 0 °C
 50 °C
 ADVANCED package

Surface-mounted luminaire ACURIA.perfect
APA 2000/850/MS
114467000-00811569

