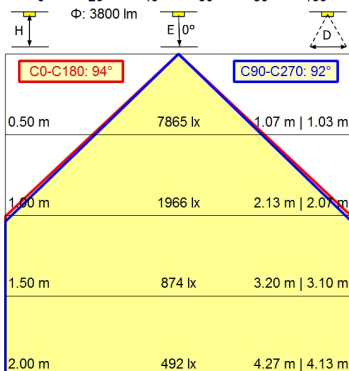
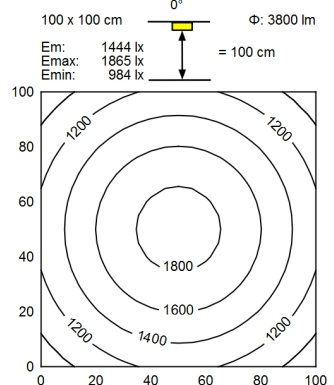
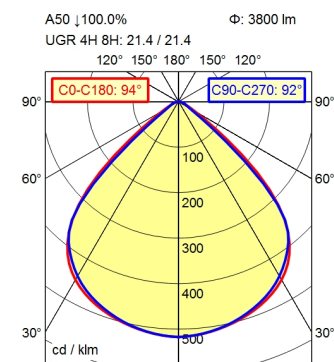


M12-A-5



Light source	LED
Work equipment	Without
Connected load	24 V; DC
Power consumption	ca. 28 W
Luminous flux	approx. 3.800 lm
Luminous efficiency	approx. 135 lm/W
Light type/-color	Cold white
Colour temperatur	approx. 5.000 K
Color rendering index	CRI ≥ 80; R9 ≥ 10
Light distribution	Direct; Symmetric
Beam angle	92°
Chromaticity tolerance LED	< 3 SDCM
Glare control	Screen
Luminance (L65)	≤ 4.200 cd/m ²
Unified glare rating (4H 8H)	≤ 22
System of protection	IP 67
Class of protection	III
Technology	Multi-stage switchable
Operation	External
Housing	Aluminium; Anodised; Aluminium coloured anodised Borosilicate
Light source cover	
Weight (net)	ca. 2,7 kg
Mains lead	Built-in plug; M12-A-5
Design	mounted version
Fastening	Screws
Dimension	A = 402,5mm, C = 382,5mm
Minimum ambient temperature	0 °C
Maximum ambient temperature	50 °C
Special features	ADVANCED package

Surface-mounted luminaire ACURIA.perfect APA 4000/850/MS

114470000-00811575

