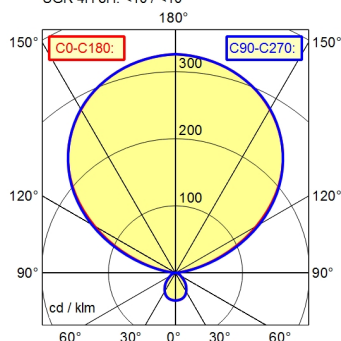


CEE 7/VII

E53 | 8.4% ↑ 91.6% Φ : 20750 lm

UGR 4H 8H: <10 / <10

**Light source****Work equipment****Connected load****Power consumption****Power factor****Luminous flux****Luminous efficiency****Light type/-color****Colour temperatur****Color rendering index****Light distribution****Direct ratio****Chromaticity tolerance LED****Glare control****Luminance (L65)****System of protection****Class of protection****Technology****Operation****Housing****Light source cover****Arm****Luminaire base****Weight (net)****Mains lead****Fastening****Decorative contrast side parts****Life expectancy LED****Special features**

LED

Electronic ballast DALI

220 - 240 V; AC; 50 Hz; 60 Hz

ca. 142 W

env. 0,948

approx. 20.750 lm

approx. 146 lm/W

Cold white

approx. 4.000 K

CRI \geq 80

Direct/indirect

approx. 8,4 %

< 3 SDCM

Conical prismatic screen

 \leq 2.800 cd/m²

IP 20

I

Presence and daylight sensor control (PIR); DALI;

Touch DIM

Multi-function switch

Steel/plastic; Powder coatet; Silver metallic

Polycarbonate (PC); Clear; Structured

Steel tube; Powder-coated; Tubular section

upright; Silver metallic

C-form flat

ca. 15,4 kg

ca. 3 m; Mains plug; CEE 7/VII

Floor standing base

Metallic silver

L80B50 60.000h

Integrated light and presence sensor PIR;
 Separated, direct and indirect light individually
 adjustable; Retrofittable with TALK module; Flicker-
 free; Cradle to Cradle Certified TM; Direct light
 component with edge light and light-guide
 technology for homogenous light exit; Luminaire
 head detachable